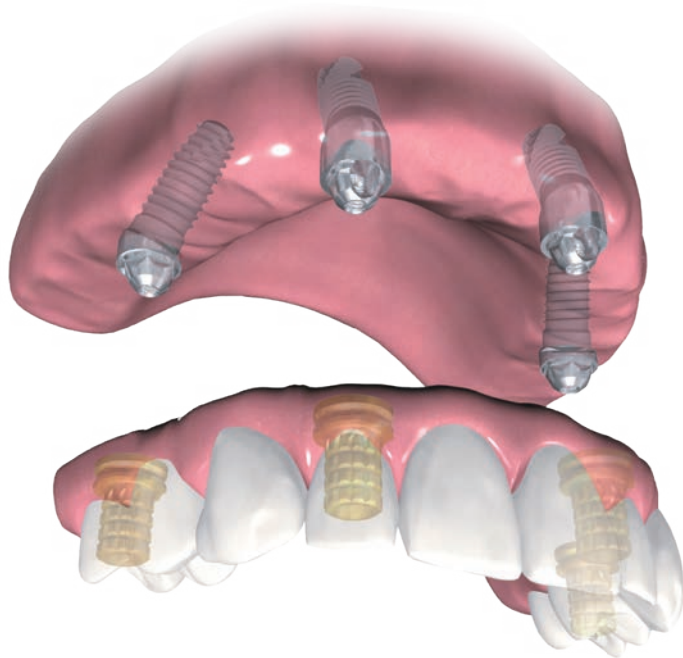


DIEM[®] 2

Immediate Full-Arch Rehabilitation



DIEM 2 Full-Arch Rehabilitation Solution

Immediate Full-Arch Rehabilitation*

The DIEM 2 Protocol is designed to help provide long-lasting aesthetic results through comprehensive dental implant therapy for edentulous patients, partially edentulous patients and those with failing dentition.

Edentulism and failing dentition continue to be major health challenges affecting millions of people worldwide.

Many patients seek full-arch rehabilitation to quickly regain their confidence and quality of life. You can help these patients by offering them DIEM 2, the Zimmer Biomet Dental solution for immediate full-arch restoration for **one** or **both** arches.



Clinical photograph showing hopeless dentition in both jaws due to advanced, generalized periodontitis.**

The Innovative System Solution

The DIEM 2 Solution allows for same-day treatment utilizing surgical and prosthetic flexibility with the following components:

- Tapered Implants
- Low Profile Abutments with Prosthetic Components
- BellaTek® Bars & Frameworks



* Not all patients are candidates for immediate load procedures.

** Clinical photograph courtesy of Dr. Gary A. Morris, DDS†.

† Dr. Morris has a financial relationship with Zimmer Biomet Dental resulting from speaking engagements, consulting engagements and other retained services.

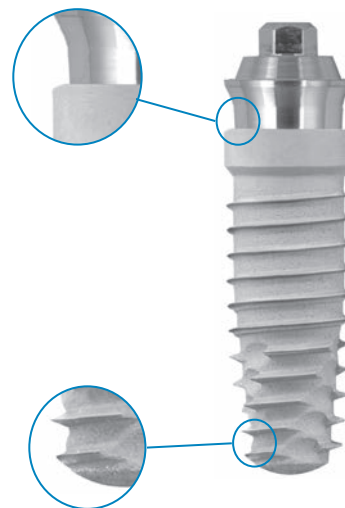


Innovative Products that Support Treatment from Beginning to End

Zimmer Biomet Dental offers a wide array of versatile surgical and prosthetic components designed to manage each patient's unique clinical needs.

Tapered Implants

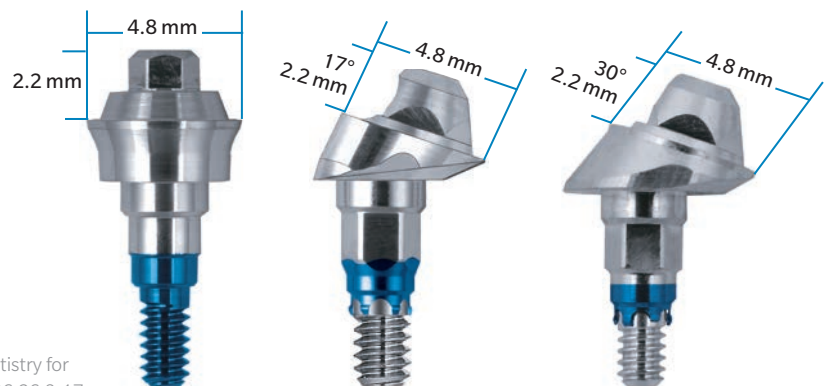
- **Integrated Platform Switching** medializes the implant/abutment junction (IAJ) inward, creating a biologic width between connective tissue and the IAJ¹ - helping to maintain bone levels¹
- **Primary Stability** is achieved with the implant's uniform thread design to the apex and an intimate fit within the bone to support initial bone-to-implant contact along the full length of the implant



Low Profile Abutments

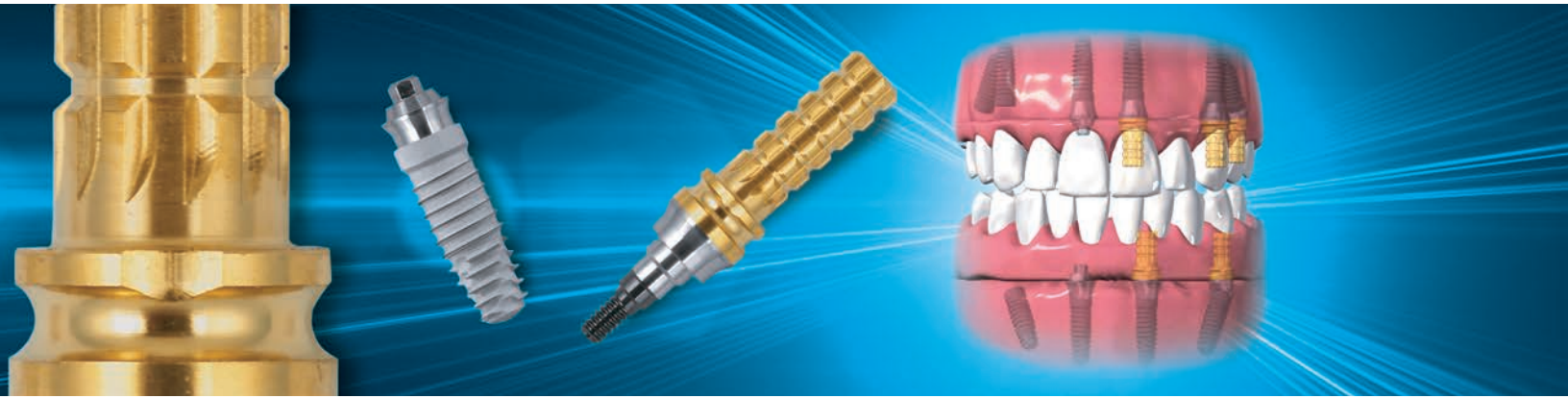
- **Low 2.2 mm restorative height** for functional aesthetic restorations in limited interarch spaces
- **Straight and angled options** of 17 and 30 degrees; aiming to be ideal for cases where a sinus lift might be avoided
- **Consistent 4.8 mm restorative platform** throughout the abutment line for fewer parts and pieces
- **Contoured profile** provides easy placement in subcrestal and flapless surgeries

The only abutment on the market that offers angle correction of 17 and 30 degrees in 12 different positions!



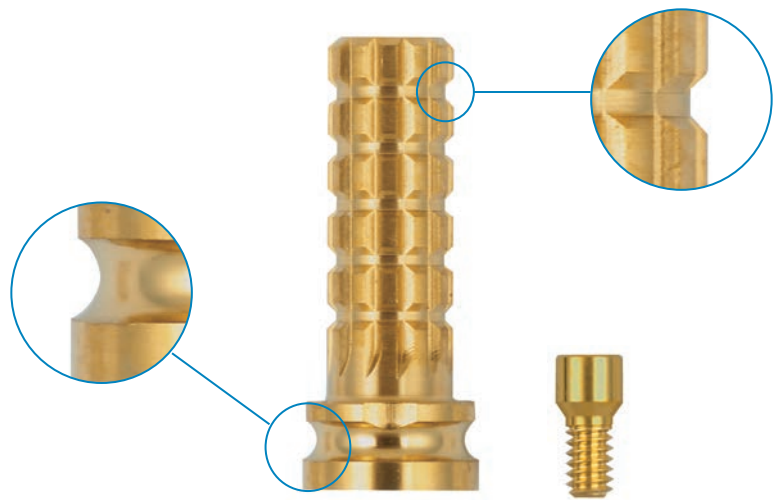
¹ Lazzara R†, Porter SS. Platform switching: A new concept in implant dentistry for controlling post-restorative crestal bone levels. Int J Perio Rest Dent. 2006;26:9-17.

† Dr. Lazzara has a financial relationship with Zimmer Biomet Dental resulting from speaking engagements, consulting engagements and other retained services.



Low Profile Abutment Prosthetic Components

- **Good aesthetics** are achieved with the gold hue of the Temporary Cylinder through the acrylic resin
- **Ease of use** is provided by machined concavities at the apex of the cylinders to retain the rubber dam
- **Clear visual markers** are provided by the machined grooves along the length of the cylinder when measuring and reducing their height
- **Greater clamping force** with Gold-Tite® Screw technology (Certain® connection) as compared to a titanium alloy screw^{2,*}



BellaTek® Bars & Frameworks

- A truly passive fit
- CAD/CAM precision
- No soldering or welding
- No waxing and casting
- Biocompatible alloy

A wide variety of CAD/CAM bar designs for a strong, precise and aesthetic definitive fixed prosthesis.



² Suttin Z†, Towse R†. Effect of abutment screw design on implant system seal performance. Presented at the European Association for Osseointegration, 20th Annual Scientific Meeting; October 2012; Copenhagen, Denmark. http://biomet3i.com/Pdf/Posters/P-450_Effect_of_Screw_Design_on_Implant_Seal.pdf

† Mr. Suttin and Mr. Towse contributed to the above research while employed by Zimmer Biomet Dental.

* Pre-clinical studies are not necessarily indicative of clinical results.



Step-by-Step Guidelines Serve as a Roadmap for Treatment

The aim is that patients return home on the same day of surgery with a fixed provisional prosthesis that looks aesthetically pleasing and functions immediately*.

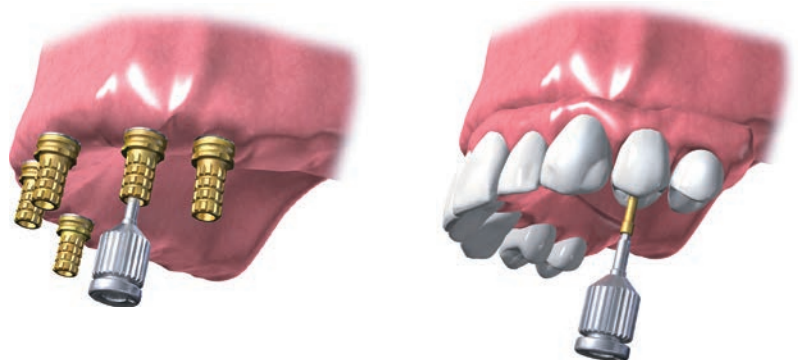
Benefits for Patients

- Eliminates the need for loose or painful dentures by providing patients with a fixed provisional prosthesis for increased satisfaction
- Reduces the number of procedures and follow-up visits as compared to single-implant therapy.



Benefits for Clinicians

- Decreases surgical morbidity
- Allows for implant dentistry access to a large edentulous or partially edentulous patient population
- Offers an additional innovative procedure for the dental practice
- Designed to increase implant treatment acceptance due to a single day procedure



Immediate provisional restoration
on **four** or **more** implants.

Please refer to the DIEM®2 Guidelines (INST1159) for step-by-step instructions.

* Not all patients are candidates for immediate load procedures.

Ordering Information

Low Profile Abutments



3.4 mm Seating Surface									
Collar Height	One Piece (Non-Hexed)	Two Piece (Hexed)	17° (Hexed)		30° (Hexed)				
1.0 mm	ILPC341U LPC341U	ILPC341 LPC341	-	-	-	-	-	-	
2.0 mm	ILPC342U LPC342U	ILPC342 LPC342	ILPAC3217	LPAC3217	-	-	-	-	
3.0 mm	ILPC343U LPC343U	ILPC343 LPC343	-	-	ILPAC3330	LPAC3330	-	-	
4.0 mm	ILPC344U LPC344U	ILPC344 LPC344	ILPAC3417	LPAC3417	-	-	-	-	
5.0 mm	-	-	-	-	ILPAC3530	LPAC3530	-	-	

4.1 mm Seating Surface									
Collar Height	One Piece (Non-Hexed)	Two Piece (Hexed)	17° (Hexed)		30° (Hexed)				
1.0 mm	ILPC441U LPC441U	ILPC441 LPC441	-	-	-	-	-	-	
2.0 mm	ILPC442U LPC442U	ILPC442 LPC442	ILPAC4217	LPAC4217	-	-	-	-	
3.0 mm	ILPC443U LPC443U	ILPC443 LPC443	-	-	ILPAC4330	LPAC4330	-	-	
4.0 mm	ILPC444U LPC444U	ILPC444 LPC444	ILPAC4417	LPAC4417	-	-	-	-	
5.0 mm	-	-	-	-	ILPAC4530	LPAC4530	-	-	

5.0 mm Seating Surface									
Collar Height	One Piece (Non-Hexed)	Two Piece (Hexed)	17° (Hexed)		30° (Hexed)				
1.0 mm	ILPC541U LPC541U	ILPC541 LPC541	-	-	-	-	-	-	
2.0 mm	ILPC542U LPC542U	ILPC542 LPC542	ILPAC5217	LPAC5217	-	-	-	-	
3.0 mm	ILPC543U LPC543U	ILPC543 LPC543	-	-	ILPAC5330	LPAC5330	-	-	
4.0 mm	ILPC544U LPC544U	ILPC544 LPC544	ILPAC5417	LPAC5417	-	-	-	-	
5.0 mm	-	-	-	-	ILPAC5530	LPAC5530	-	-	

 = Certain® Internal Connection  = External Hex Connection

Abutment Compatibility

Component	Hexed Abutment	Non-Hexed Abutment
Hexed	Yes	No
Non-Hexed	Yes	Yes

Low Profile Screws



Description	Item No.
Gold-Tite® Retaining Screw	LPCGSH
Titanium Retaining Screw	LPCTSH
Waxing Screw	LPCWS

Low Profile Laboratory Tools



Description	Item No.
Lapping Tool	LPCAMI
Polishing Protector	LPCPP

Low Profile Abutment Bone Profilers

Description	Item No.
Low Profile Abutment Bone Profiler, 3.4 mmD	LPCBP3
Low Profile Abutment Bone Profiler, 4.1 mmD	LPCBP4
Low Profile Abutment Bone Profiler, 5.0 mmD	LPCBP5

Low Profile Impression Copings & Analog

Description	Item No.
Pick Up Impression Coping (Hexed)	LPCPIC1
Pick Up Impression Coping (Non-Hexed)	LPCPIC2
Twist Lock™ Impression Coping (Hexed)	LPCTIC1
Twist Lock (Non-Hexed)	LPCTIC2
QuickBridge® Impression Coping	LPCRIC
Lab Analog	LPCLA

Low Profile Provisional Restoration Components

Description	Item No.
Temporary Cylinder (Hexed)	LPCTC1
Temporary Cylinder (Non-Hexed)	LPCTC2
Healing Cap	LPCHC
PreFormance® Temporary Cylinder (Hexed)	LPCPTC1
PreFormance Temporary Cylinder (Non-Hexed)	LPCPTC2
QuickBridge	LPCQB
QuickBridge Replacement Cap	LPCQBCAP
Distal Extension	LPCDE

Low Profile Final Restoration Components

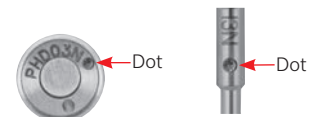
Description	Item No.
Gold Cylinder (Hexed)	LPCGC1
Gold Cylinder (Non-Hexed)	LPCGC2
Castable Cylinder (Hexed)	LPCCC1
Castable Cylinder (Non-Hexed)	LPCCC2
Laser Welded Cylinder	LPCTUCA

Large Hex Driver & Driver Tip



Description	Item No.
Large Hexed Driver	PHD02N, PHD03N*
Large Hexed Driver Tip	RASH3N, RASH8N*
Posterior Abutment Driver 17 mmL	PAD00
Standard Abutment Driver 24 mmL	PAD24

* Made narrower to fit with external hexed angled Low Profile Abutments. The Driver and Driver Tips can be identified by a laser marked dot after the item number as pictured below.



Contact us at 1-800-342-5454 or visit zimmerbiometdental.com

Zimmer Biomet Dental
Global Headquarters
4555 Riverside Drive
Palm Beach Gardens, FL 33410
Tel: +1-561-776-6700
Fax: +1-561-776-1272

